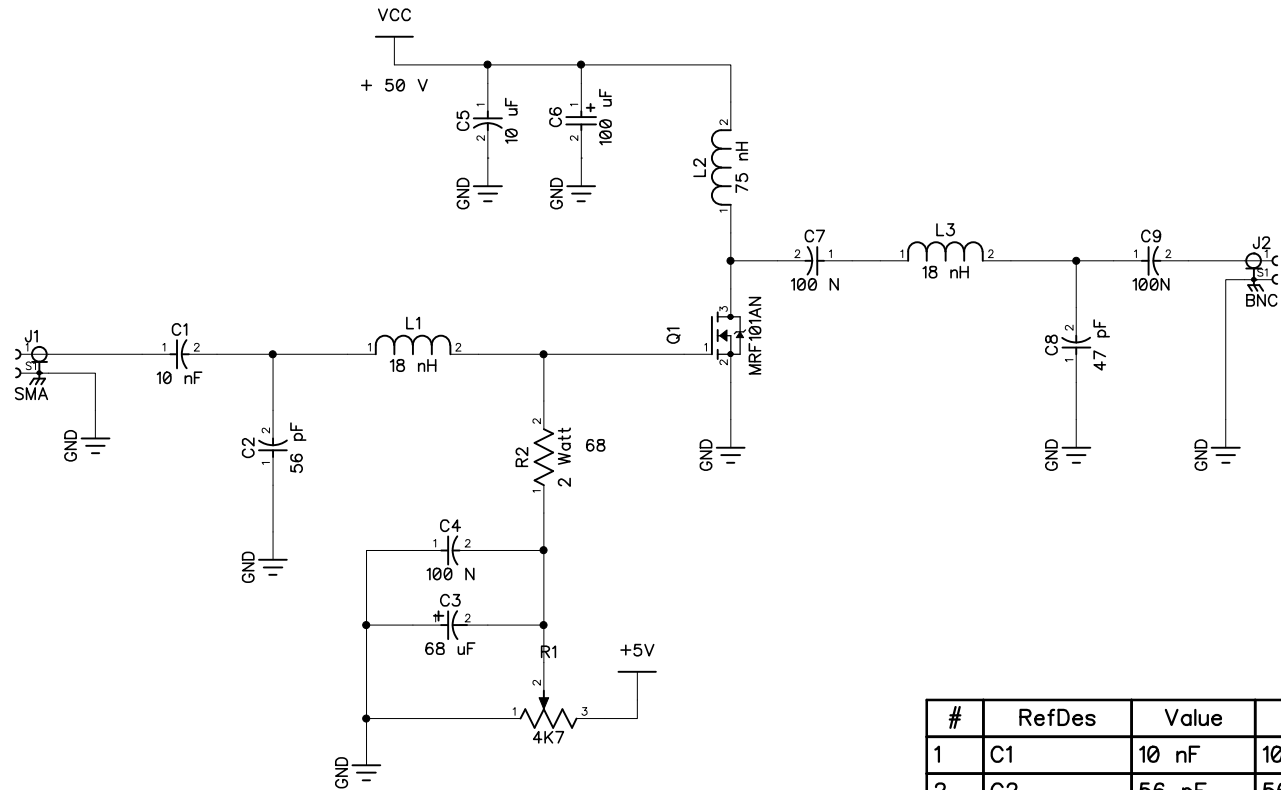


100 Watt VHF (144-148 MHz) LDMOS Power Amplifier



Author: baltic-lab.com
Licence: CC BY-NC 4.0



#	RefDes	Value	Name	Manufacturer
1	C1	10 nF	10 nF	
2	C2	56 pF	56 pF	
3	C3	68 uF	WCAP-ATG8	Würth
4	C4, C7, C9	100 N	100 N	
5	C5	10 uF	WCAP-ATG8	Würth
6	C6	100 uF	WCAP-ATG8	Würth
7	C8	47 pF	47 pF	
8	J1	SMA	SMA	
9	J2	BNC	BNC	
10	L1, L3	18 nH	165-01A06L	Coilcraft
11	L2	75 nH	144-02J12L	Coilcraft
12	Q1	MRF101AN	MRF101AN	NXP
13	R1	4K7	4K7	
14	R2	68	2 Watt	